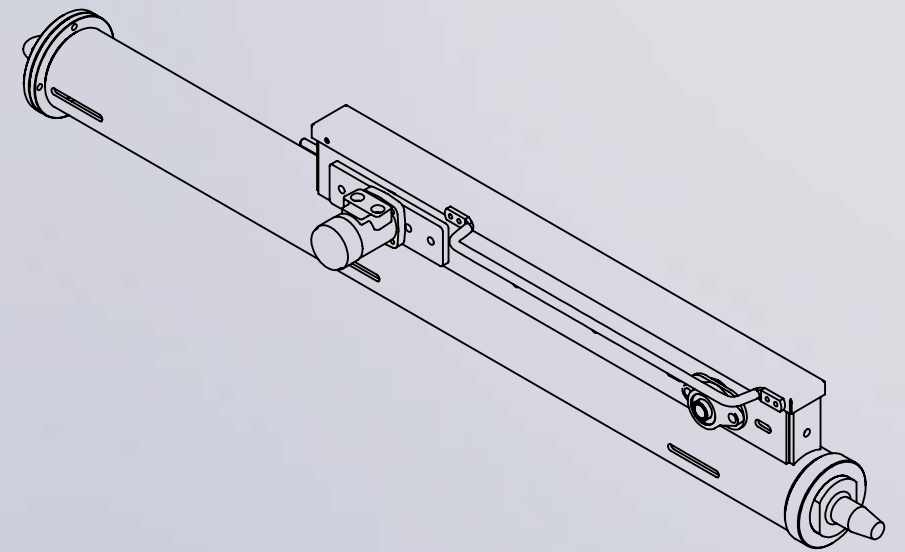
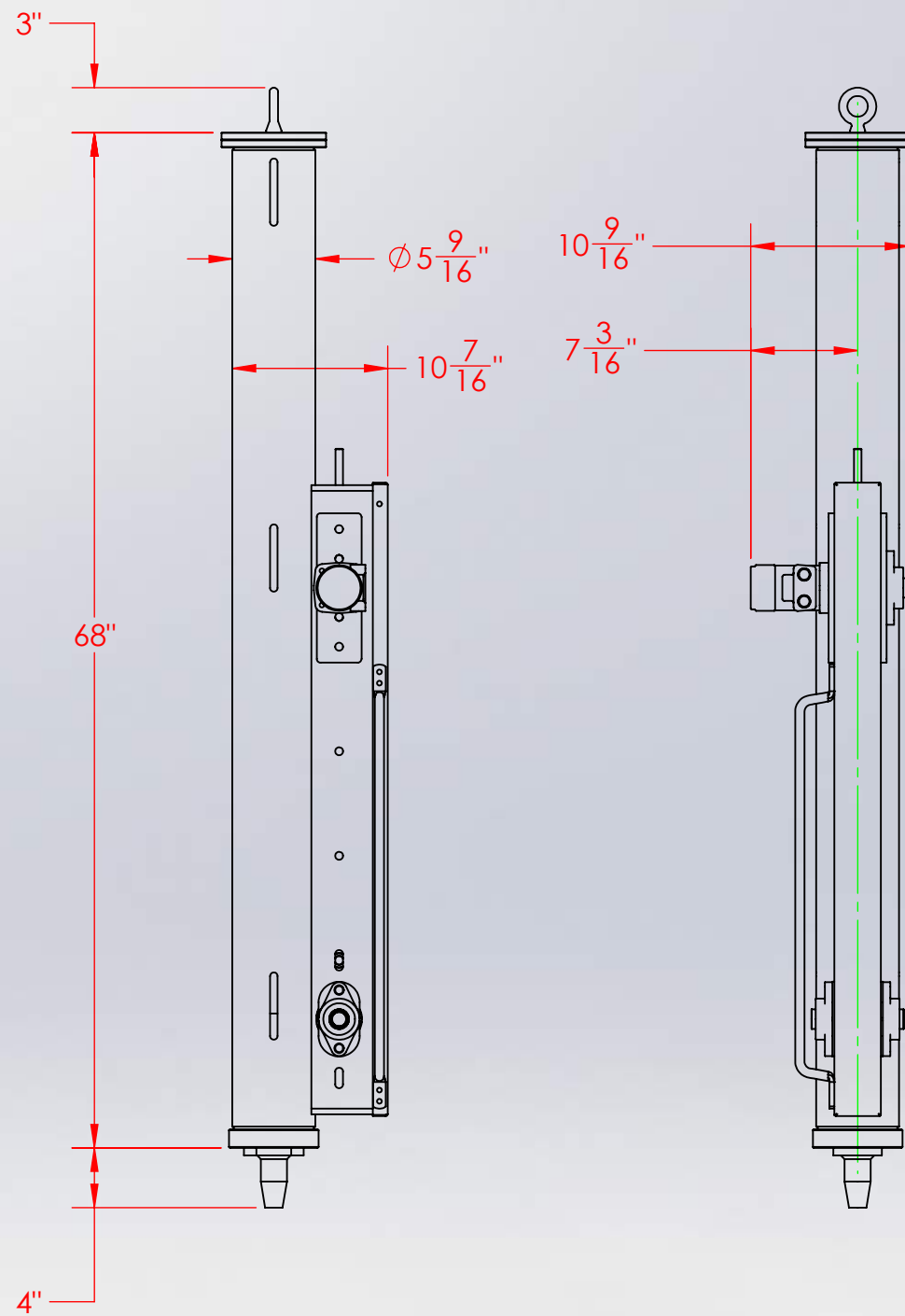
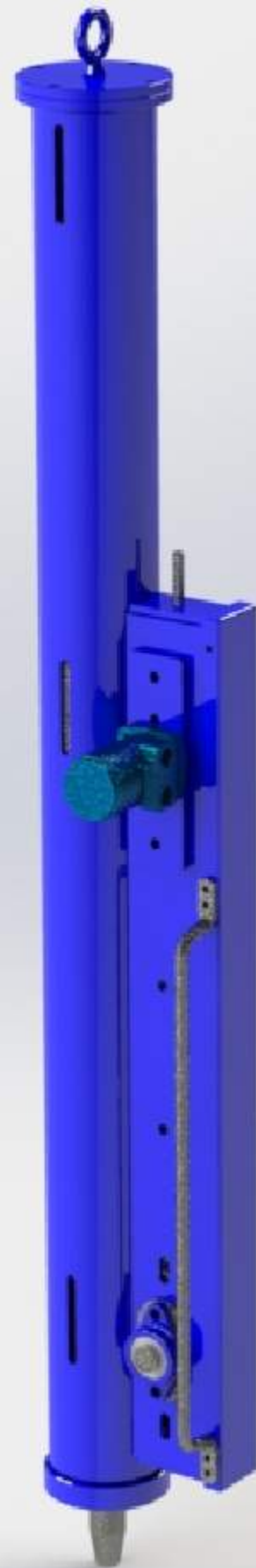


WORK ORDER NO.	
QUANTITY REQ'D	
CUSTOMER	



MPP-001-9021	DRAWING NO.	UNLESS OTHERWISE SPECIFIED DIMENSIONS ARE IN INCHES TOLERANCES: FRACTIONAL: $\pm 1/32$ ANGULAR: $\pm 1/2$ DEG. .X = $\pm .030$.XX = $\pm .010$.XXX = $\pm .005$			
	APPLICATION	PROPRIETARY AND CONFIDENTIAL THE INFORMATION CONTAINED IN THIS DRAWING IS THE SOLE PROPERTY OF MULTI-POWER PRODUCTS LTD. ANY REPRODUCTION IN PART OR AS A WHOLE WITHOUT THE WRITTEN PERMISSION OF MULTI-POWER PRODUCTS LTD. IS PROHIBITED.			
		THIRD ANGLE PROJECTION		MATERIAL	WEIGHT
x		DRAWN BY: VITALI	DATE: 7/12/2017	SIZE B	DWG. NO. MPP-001-9021
		CHECKED BY:	SCALE 1:12		322.39 LBS
TITLE: DROP HAMMER, 30" DROP					
				SHEET	1 OF 1