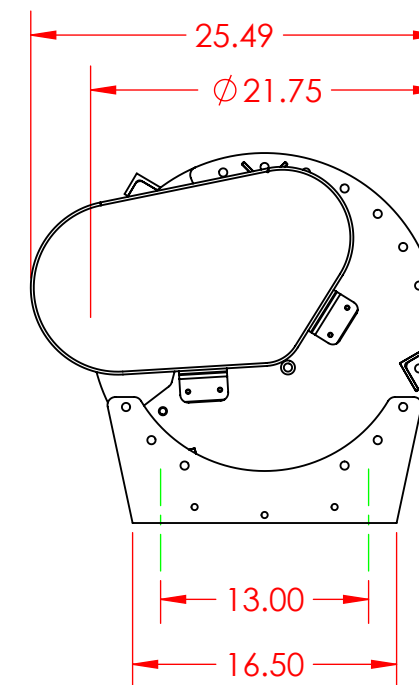
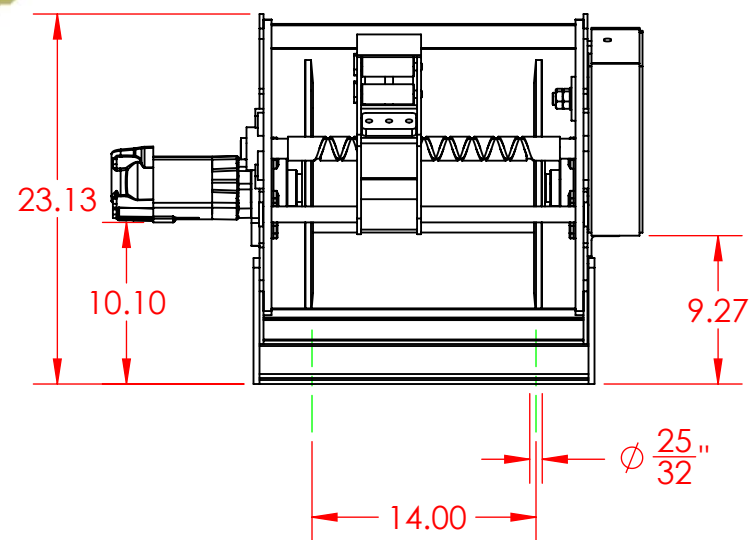
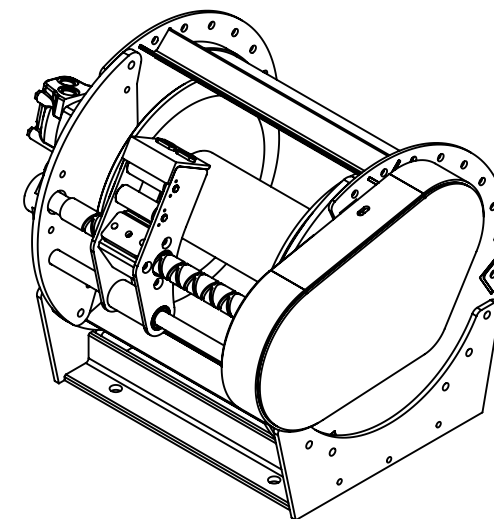
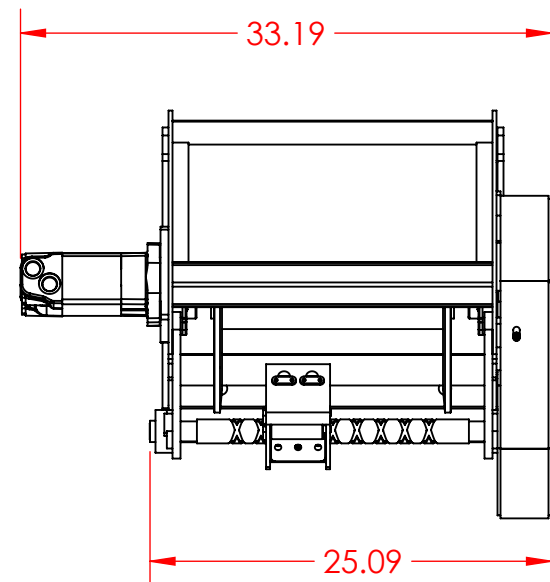
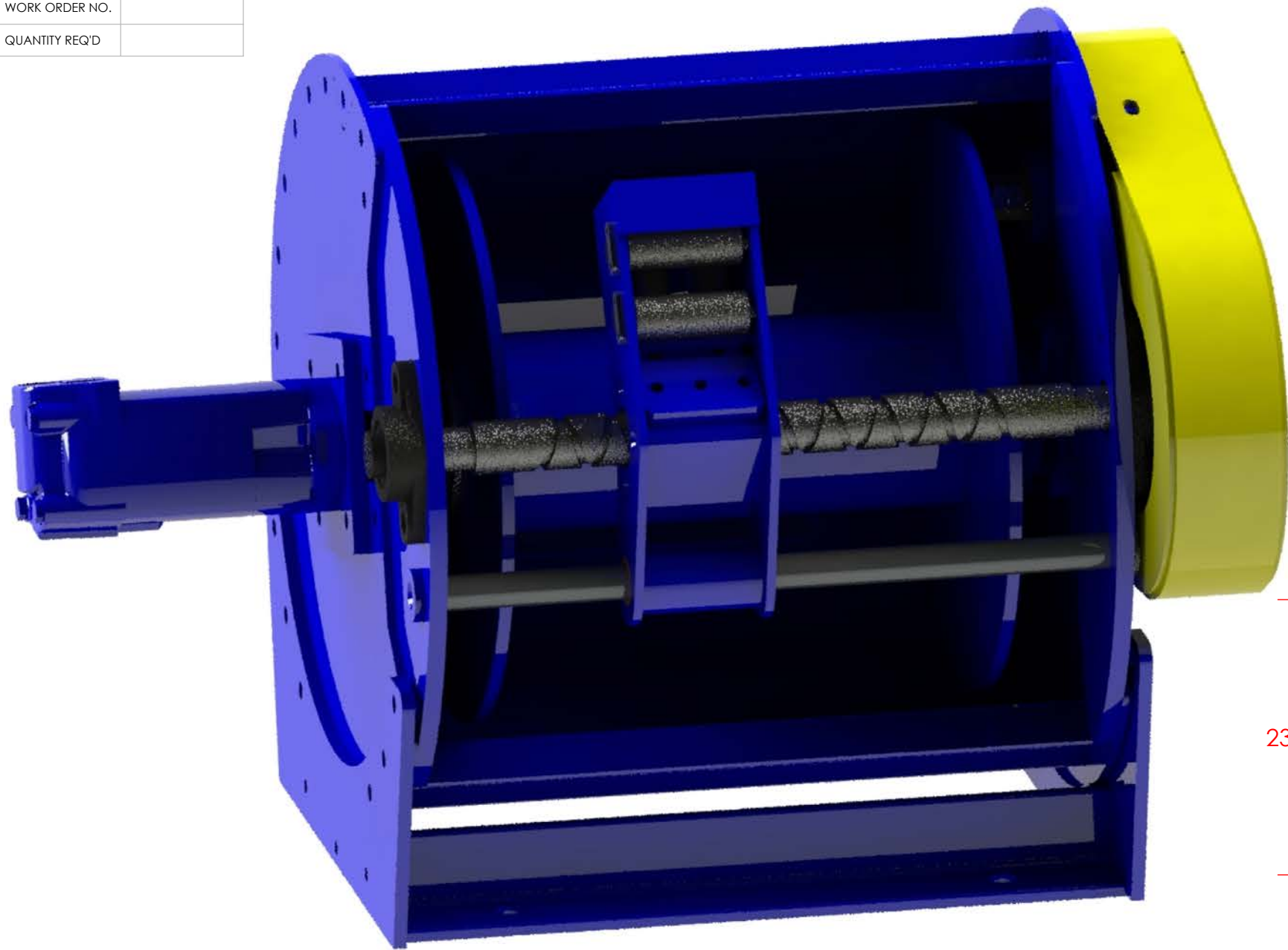


WORK ORDER NO.	
QUANTITY REQ'D	



MPP-001-5455	DRAWING NO.	UNLESS OTHERWISE SPECIFIED DIMENSIONS ARE IN INCHES TOLERANCES: FRACTIONAL: $\pm 1/32$ ANGULAR: $\pm 1/2$ DEG. .X = $\pm .030$.XX = $\pm .010$.XXX = $\pm .005$			
	APPLICATION	PROPRIETARY AND CONFIDENTIAL THE INFORMATION CONTAINED IN THIS DRAWING IS THE SOLE PROPERTY OF MULTI-POWER PRODUCTS LTD. ANY REPRODUCTION IN PART OR AS A WHOLE WITHOUT THE WRITTEN PERMISSION OF MULTI-POWER PRODUCTS LTD. IS PROHIBITED.			
TITLE:		MULTI-POWER PRODUCTS LTD. HYDRAULIC • PNEUMATIC • INDUSTRIAL PRODUCTS			
TITLE:		LEVEL WIND WINCH ASSEMBLY			
THIRD ANGLE PROJECTION		MATERIAL	WEIGHT		287.88 LBS
DRAWN BY: CKK	DATE: 11/21/2012	SIZE B	DWG. NO.	SHEET	
CHECKED BY:	SCALE 1:12	MPP-001-5455		1 OF 1	