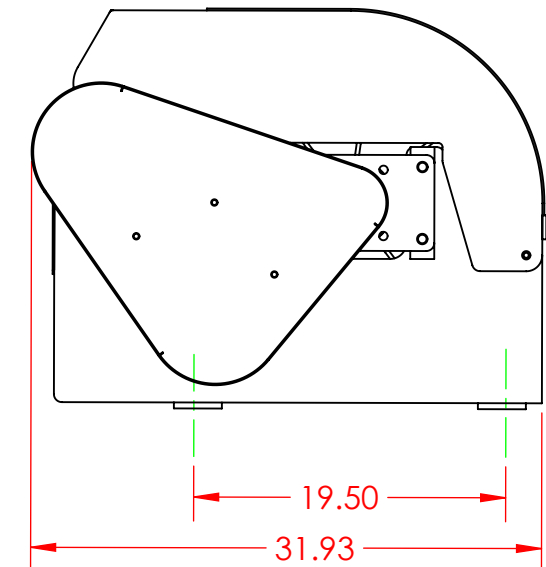
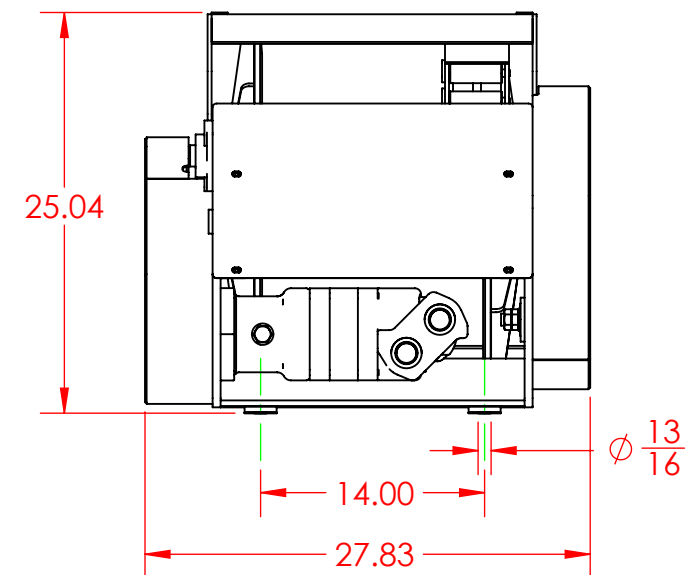
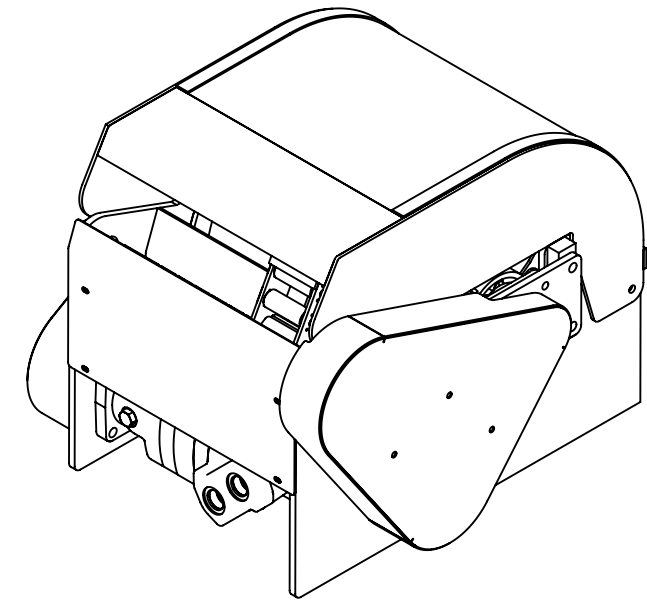
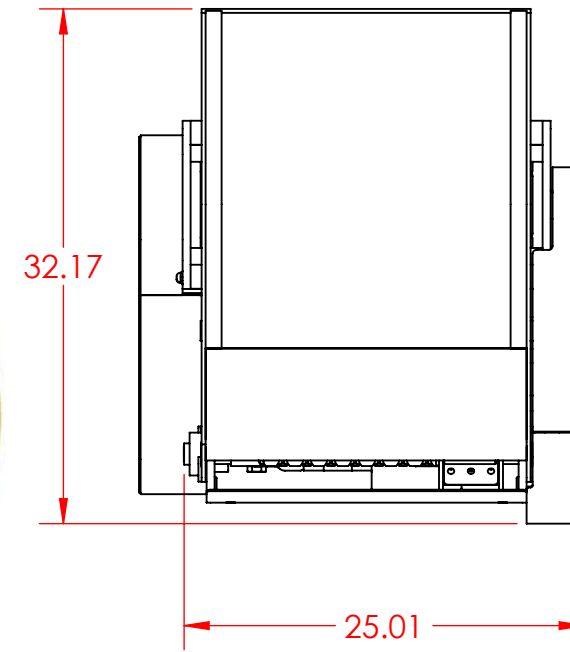
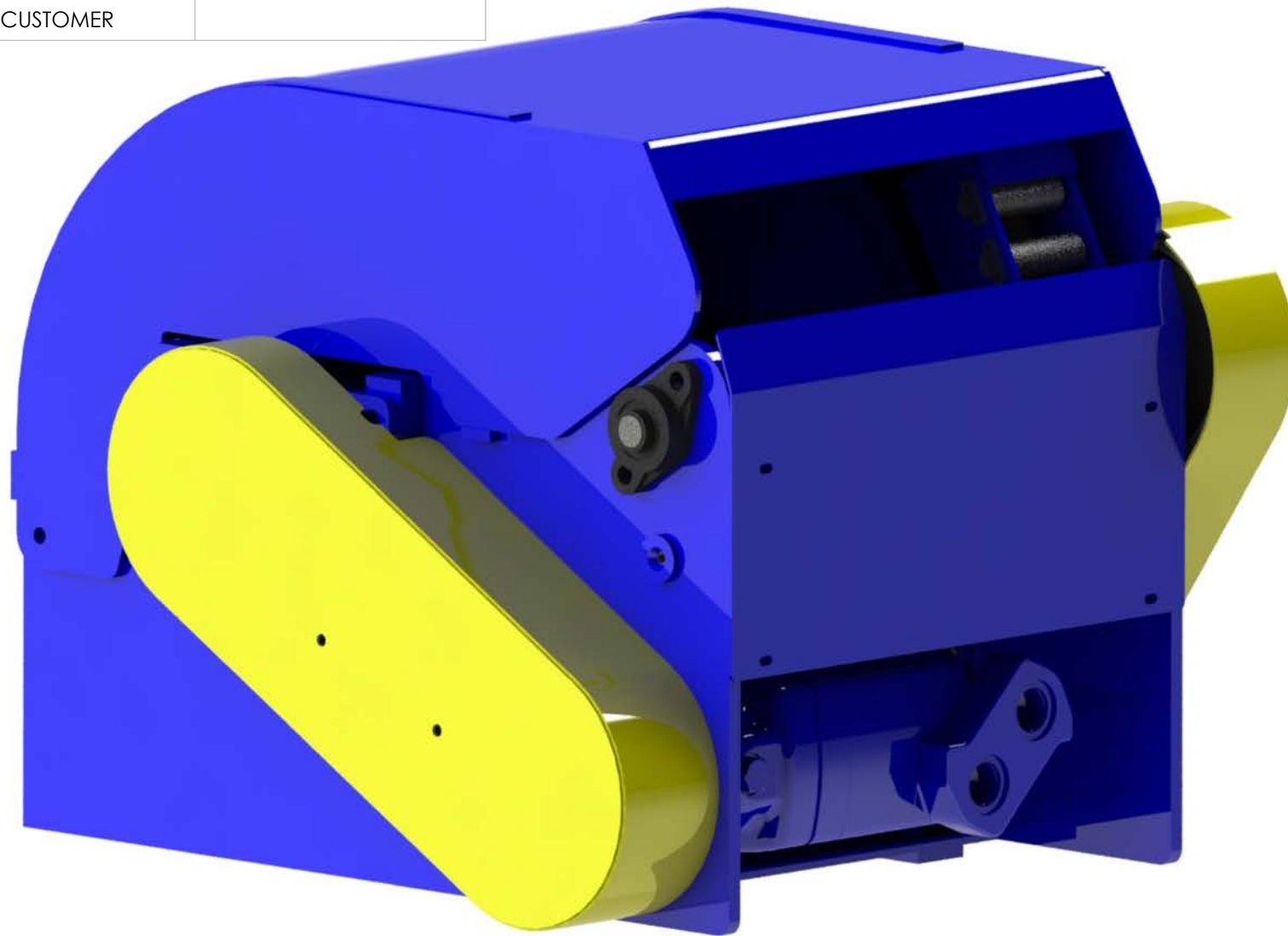


WORK ORDER NO.	
QUANTITY REQ'D	
CUSTOMER	



MPP-001-6835	DRAWING NO.	UNLESS OTHERWISE SPECIFIED DIMENSIONS ARE IN INCHES TOLERANCES: FRACTIONAL: ± 1/32 ANGULAR: ± 1/2 DEG. .X = ± .030 .XX = ± .010 .XXX = ± .005			
	APPLICATION	<b>PROPRIETARY AND CONFIDENTIAL</b> THE INFORMATION CONTAINED IN THIS DRAWING IS THE SOLE PROPERTY OF MULTI-POWER PRODUCTS LTD. ANY REPRODUCTION IN PART OR AS A WHOLE WITHOUT THE WRITTEN PERMISSION OF MULTI-POWER PRODUCTS LTD. IS PROHIBITED.			
		THIRD ANGLE PROJECTION		MATERIAL	WEIGHT
x		DRAWN BY: JL	DATE: 7/8/2014	SIZE <b>B</b>	DWG. NO. MPP-001-6835
		CHECKED BY:	SCALE 1:12		487.53 LBS
		<b>MULTI-POWER PRODUCTS LTD.</b> HYDRAULIC • PNEUMATIC • INDUSTRIAL PRODUCTS			SHEET 1 OF 1
		TITLE: WIRELINE WINCH, 5000' LEVEL WIND			